

## FILAMENT LAMP



LED Filament Lamps replicate the traditional design of incandescent filament bulbs while providing significant energy savings. These lamps contain LED emitters in linear filament style rods that are powered by using a glass insulated circuit, similar to a vintage incandescent light bulbs.

The perfect replacement for your existing incandescent light bulbs. with 15,000 hours average rated life and energy savings of up to 70%.

naturaLED® offers a full line in A19, G25, ST19, and Candelabra lamps that deliver a warm light in 2200K and tinted glass. Designed for decorative residential, retail, hotel boutiques, hospitality, restaurants, and many more applications.



### Features & Benefits

- ▶ Energy Star Certified
- ▶ UL Damp & UL Wet
- ▶ Title20, Title24/JA8-2016
- ▶ Warm light 2200K
- ▶ Uniform and consistent color
- ▶ Up to 84% energy savings
- ▶ Omni-directional
- ▶ LED with a traditional incandescent design
- ▶ Direct Replacement
- ▶ Instant on
- ▶ Suitable for outdoor usage
- ▶ Contains no mercury or lead
- ▶ 15,000 hrs rated average life

### Applications

- ▶ Residential Lighting
- ▶ Decorative Lighting
- ▶ Retail Lighting
- ▶ Restaurant Lighting
- ▶ Hospitality Lighting

### Specifications

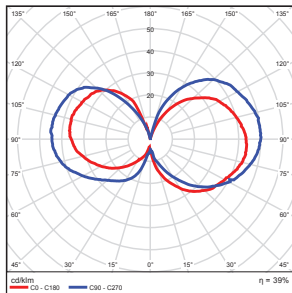
- ▶ Input line voltage: 120V
- ▶ CRI: 90
- ▶ Power Factor: >0.9
- ▶ Dimmable
- ▶ Operating temperature: -4°F - 104°F
- ▶ Finish: Tinted Glass

Ordering Information

Code	Description	CCT	Watt	Lumen	Equiv Wattage	Base	CRI	Shape	Dim	Rated Hrs	WET RATED LOCATION	ENERGY STAR	JA8 2016	TITLE 20
5940	LED4.5CAF/FIL/E12/30L/922	2200K	4.5	300	40	E12	>90	Candle	Yes	15,000	•	•	•	•
5941	LED5CAF/FIL/E26/32L/922	2200K	5	325	40	E26	>90	Candle	Yes	15,000	•	•	•	•
5942	LED5G25/FIL/35L/922	2200K	5	450	40	E26	>90	G25	Yes	15,000	•	•	•	•
5994	LED6.5A19/FIL/45L/922	2200K	6.5	455	40	E26	>90	A19	Yes	15,000			•	•
5995	LED6.5ST19/FIL/45L/922	2200K	6.5	450	40	E26	>90	ST19	Yes	15,000			•	•

Photometric Data

4.5CAF - E12



Zonal Lumen Summary

Zone	Lumens	% Luminaire
0-30	8.89	1.10
0-40	19.55	2.50
0-60	56.73	7.20
60-80	58.43	7.40
70-80	31.66	4.00
90-120	98.29	12.40
90-180	159.97	20.20
0-180	309.86	39.10

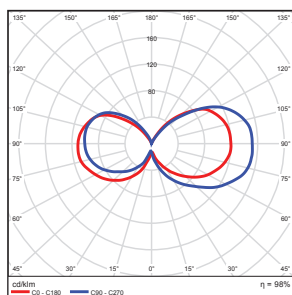
Total Luminaire Efficiency = 100.00%

Illuminance at a Distance

	Center Beam fc	Beam Width
1.0ft	3.90 fc	1.2 ft
2.0ft	0.98 fc	2.3 ft
3.0ft	0.43 fc	3.5 ft
4.0ft	0.24 fc	4.6 ft
5.0ft	0.16 fc	5.8 ft
6.0ft	0.11 fc	6.9 ft

■ Horiz. Spread: 60.0°

4.5CAF - E26



Zonal Lumen Summary

Zone	Lumens	% Luminaire
0-30	10.67	2.90
0-40	23.72	6.30
0-60	72.36	19.40
60-80	77.80	20.80
70-80	41.94	11.20
90-120	122.55	32.80
90-180	171.37	45.90
0-180	366.54	98.10

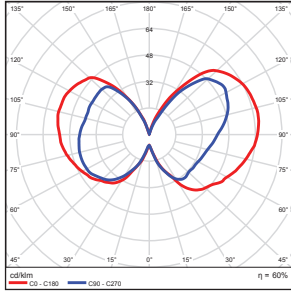
Total Luminaire Efficiency = 100.00%

Illuminance at a Distance

	Center Beam fc	Beam Width
1.0ft	5.04 fc	2.0 ft 0.9 ft
2.0ft	1.26 fc	4.0 ft 1.7 ft
3.0ft	0.56 fc	6.0 ft 2.6 ft
4.0ft	0.32 fc	8.0 ft 3.5 ft
5.0ft	0.20 fc	10.0 ft 4.3 ft
6.0ft	0.14 fc	12.0 ft 5.2 ft

■ Vert. Spread: 90.0°  
■ Horiz. Spread: 46.8°

5G25 - E26



Zonal Lumen Summary

Zone	Lumens	% Luminaire
0-30	10.67	2.90
0-40	23.72	6.30
0-60	72.36	19.40
60-80	77.80	20.80
70-80	41.94	11.20
90-120	122.55	32.80
90-180	171.37	45.90
0-180	366.54	98.10

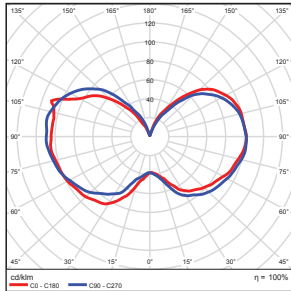
Total Luminaire Efficiency = 100.00%

Illuminance at a Distance

	Center Beam fc	Beam Width
2.0ft	1.02 fc	6.4 ft
4.0ft	0.25 fc	12.9 ft
6.0ft	0.11 fc	19.3 ft
8.0ft	0.06 fc	25.8 ft
10.0ft	0.04 fc	32.2 ft
12.0ft	0.03 fc	38.7 ft

■ Beam Spread: 116.3°

6.5A19 - E26



Zonal Lumen Summary

Zone	Lumens	% Luminaire
0-30	22.81	4.80
0-40	46.17	9.60
0-60	117.09	24.40
60-80	97.57	20.30
70-80	51.31	10.70
90-120	142.70	29.70
90-180	214.26	44.60
0-180	482.07	100.40

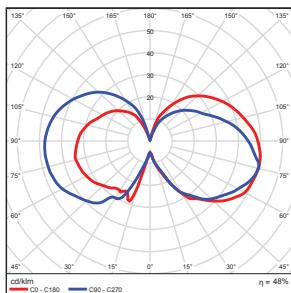
Total Luminaire Efficiency = 100.00%

Illuminance at a Distance

	Center Beam fc	Beam Width
2.0ft	4.58 fc	1.5 ft
4.0ft	1.14 fc	3.0 ft
6.0ft	0.51 fc	4.5 ft
8.0ft	0.29 fc	6.0 ft
10.0ft	0.18 fc	7.5 ft
12.0ft	0.13 fc	9.0 ft

■ Horiz. Spread: 41.2°

6.5ST19 - E26



Zonal Lumen Summary

Zone	Lumens	% Luminaire
0-30	22.81	4.80
0-40	46.17	9.60
0-60	117.09	24.40
60-80	97.57	20.30
70-80	51.31	10.70
90-120	142.70	29.70
90-180	214.26	44.60
0-180	482.07	100.40

Total Luminaire Efficiency = 100.00%

Illuminance at a Distance

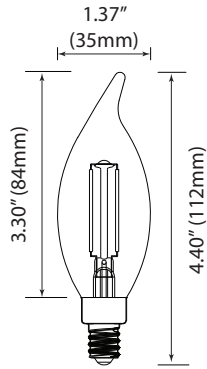
	Center Beam fc	Beam Width
2.0ft	1.75 fc	5.8 ft
4.0ft	0.44 fc	11.7 ft
6.0ft	0.19 fc	17.5 ft
8.0ft	0.11 fc	23.4 ft
10.0ft	0.07 fc	29.2 ft
12.0ft	0.05 fc	35.1 ft

■ Beam Spread: 111.2°

Product Dimensions

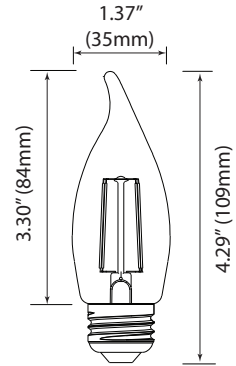
Candle E12

Weight: 1.57-oz



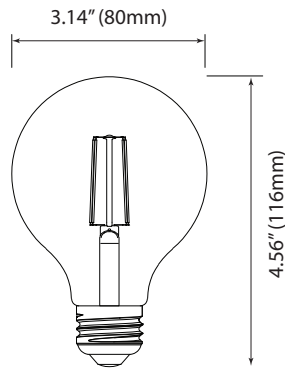
Candle E26

Weight: 1.90-oz



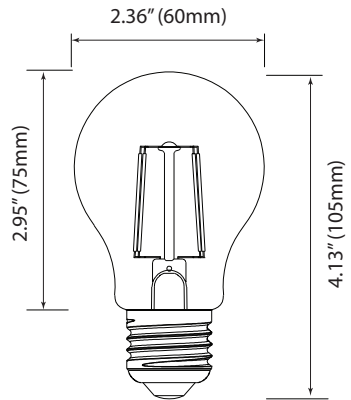
G25

Weight: 4.66-oz



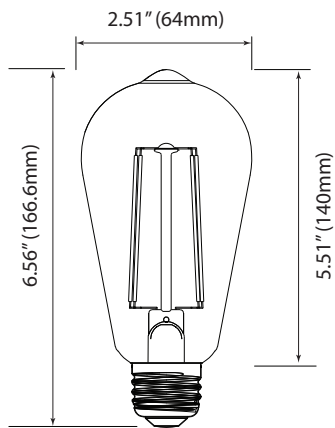
A19

Weight: 4.22-oz

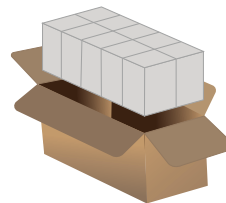


ST19

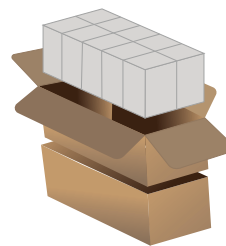
Weight: 4.30-oz



Package



Package  
(Master)  
10



Package  
(Master)  
20