



LED LAMPS

ProLED® **Commercial MR11/MR16/ PAR16 Series**



Energy Saver



Dimmable



UL Listed for
Damp Locations

Energy efficient and long-life alternative
to 20W, 35W and 50W Halogen lamps



Halco
LIGHTING TECHNOLOGIES®

**Multiple Distributions
and Color Temperatures
Providing Application
Versatility**

**Great CRI Values Generate
True to Life Color of Clothing
and Artwork**

**Long-lasting for Low
Maintenance**

5-Year Limited Warranty

ENERGY STAR® Certified

Applications:

Retail
Accent
Display
Signage

Markets:

Commercial
Hospitality
Residential

Contact Your Customer Care Specialist
For Pricing, Orders And Technical Support.

800.677.3334

www.halcolighting.com

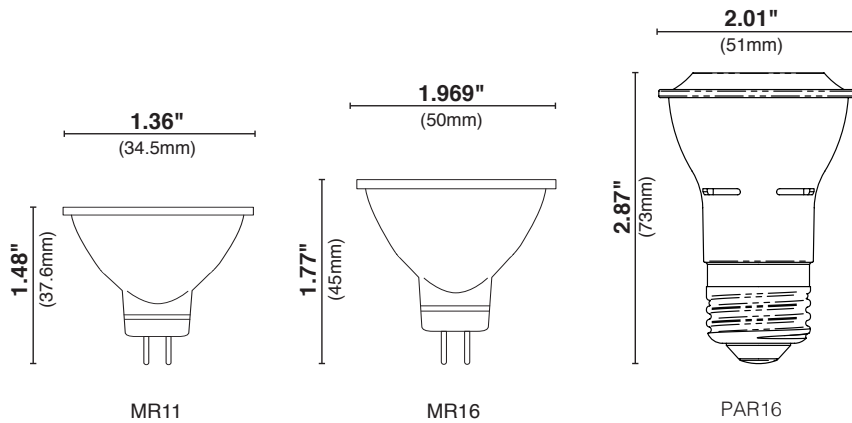
ProLED[®]

Commercial MR11/MR16/PAR16 Series

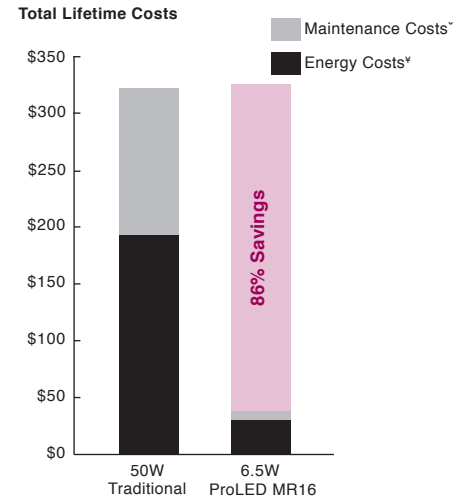
Product #: _____ Type: _____
 Project: _____ Date: _____
 Comments: _____ Initials: _____

Specifications

- Improved efficiency of ProLED[®] series by lowering wattage consumption and increasing light output
- 20° and 40° beam spreads for application versatility
- 82 CRI for quality and consistent color rendering
- Operates on magnetic or electronic transformers (MR11 and MR16)
- PAR16 operates on 120V line voltage
- Dimmable to 5% for design flexibility
- RoHS Compliant



Savings Comparison



[¶] Maintenance costs based on 15 minutes at \$40 per/hr
[¥] Energy costs based on \$0.11 kWh

Ordering Information



	Watt	Base	Product #	Product Code	Volts	Color Temp.	CRI	Lumens	CBCP	Useful Life*	Beam Spread	Dimmable	Pkg. Qty.	MOL	Equivalent Wattage
MR11															
	3	GU4	80996	MR11NFL3/827/LED	12	2700K	82	210	700	25,000	20°	No	1/10	1.48"	20W
	3	GU4	80997	MR11NFL3/830/LED	12	3000K	82	210	700	25,000	20°	No	1/10	1.48"	20W
	3	GU4	80998	MR11NFL3/840/LED	12	4000K	82	210	700	25,000	20°	No	1/10	1.48"	20W
	3	GU4	80999	MR11NFL3/850/LED	12	5000K	82	210	700	25,000	20°	No	1/10	1.48"	20W
MR16															
	4.5	GU5.3	80534	MR16FL4/827/LED2	12	2700K	82	360	730	25,000	40°	Yes	1/10	1.77"	35W
	4.5	GU5.3	80535	MR16FL4/830/LED2	12	3000K	82	360	750	25,000	40°	Yes	1/10	1.77"	35W
	4.5	GU5.3	80536	MR16FL4/850/LED2	12	5000K	82	360	810	25,000	40°	Yes	1/10	1.77"	35W
	6.5	GU5.3	80537	MR16FL6/827/LED2	12	2700K	82	500	1100	25,000	40°	Yes	1/10	1.77"	50W
	6.5	GU5.3	80538	MR16FL6/830/LED2	12	3000K	82	500	730	25,000	40°	Yes	1/10	1.77"	50W
	6.5	GU5.3	80540	MR16NFL6/830/LED2	12	3000K	82	500	2420	25,000	20°	Yes	1/10	1.77"	50W
	6.5	GU5.3	80539	MR16NFL6/850/LED2	12	5000K	82	500	1190	25,000	40°	Yes	1/10	1.77"	50W
PAR16															
	6	Medium	81038	PAR16FL6/827/W/LED ♦	120	2700K	82	370	780	40,000	40°	Yes	6/24	2.87"	35W
	6	Medium	81127	PAR16FL6/830/W/LED ♦	120	3000K	82	380	780	25,000	40°	Yes	6/24	2.87"	35W
	6	Medium	81040	PAR16FL6/840/W/LED ♦	120	4000K	82	400	780	40,000	40°	Yes	6/24	2.87"	35W
	6	Medium	81041	PAR16FL6/850/W/LED ♦	120	5000K	82	415	780	40,000	40°	Yes	6/24	2.87"	35W

♦ NEW ITEM

* Useful Life is defined as the point in time at which the lamp will maintain at least 70% of its initial lumens. The lamp will continue to burn past this point, but at decreased light levels.

Represents lamps that are ENERGY STAR[®] Certified.

ENERGY STAR[®] mandates that all directional lamps may only be listed at 25,000 hour life with 3,000 hour actual life test data, 6,000 hour LM80 data and in-situ temperature measurements.

Upon completion of full lifetime testing, ProLED[®] ENERGY STAR[®] listed lamps will be listed at their full lifetime.

Warranty – Commercial / Industrial: This product is warranted for 5 years from the date of purchase.

• May not be compatible with all dimming systems, dimming performance may vary by system, please check the website www.halcolighting.com/ProLEDdim for up-to-date dimmer compatibility information. Use on incompatible systems may shorten lamp life.