

# ProLED<sup>®</sup>

## LED Hybrid Plug-Ins

Product #: \_\_\_\_\_ Type: \_\_\_\_\_

Project: \_\_\_\_\_ Date: \_\_\_\_\_

Comments: \_\_\_\_\_ Initials: \_\_\_\_\_



50,000 Hours



120-277V



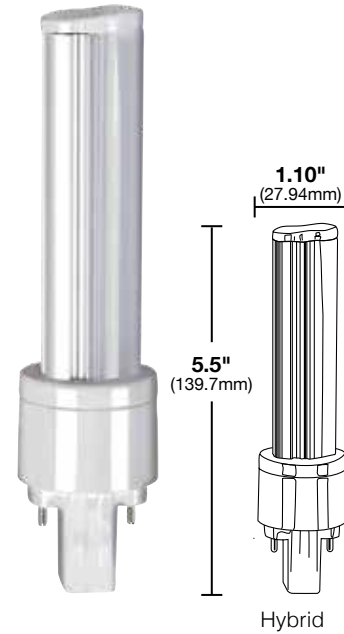
Instant On

The PL6H is a six watt solution that is great for residential and commercial applications.

### Specifications

- Magnetic CFL ballast compatible or bypass with simple rewiring from the same lamp
- Lasts 5 times longer than CFL
- 50,000 hour life resulting in lower maintenance costs over time
- Lamp base rotates for proper orientation in luminaire
- Mercury-free for safer operation and disposal
- RoHS Compliant
- Fits G23 and GX23 bases (2-Pin sockets)
- -20°C (-4°F) to 45°C (113°F) operating temperatures
- UL classified 1598C Retrofit Kit
- Instant-On
- 5-year warranty
- Power factor of >.90%
- 120-277V

PL6H/8XX/HYB/LED



### Ordering Information



Watt	Base	Product #	Product Code	Color Temp.	CRI	Lumens	Useful Life*	Pkg. Qty.	THD	MOL	Wattage Equivalent
6 Watt	GX23	81159	PL6H/827/HYB/LED	2700K	82	520	50,000	1/10	<20	5.5"	13
6 Watt	GX23	81160	PL6H/830/HYB/LED	3000K	82	520	50,000	1/10	<20	5.5"	13
6 Watt	GX23	81161	PL6H/835/HYB/LED	3500K	82	520	50,000	1/10	<20	5.5"	13
6 Watt	GX23	81162	PL6H/840/HYB/LED	4000K	82	520	50,000	1/10	<20	5.5"	13
6 Watt	GX23	81163	PL6H/850/HYB/LED	5000K	82	520	50,000	1/10	<20	5.5"	13

\* Useful Life is defined as the point in time at which the LED will maintain at least 70% of its initial lumens. The LED will continue to operate past this point at decreased light levels.



Halco Lighting Technologies 2940 Pacific Drive | Norcross, GA 30071 | Toll Free 800.677.3334 | Phone 770.242.3612 | Fax 800.880.0822 | halcolighting.com  
Atlanta | Chicago | Cleveland | Houston | Los Angeles | Phoenix  
© 2018 Halco Lighting Technologies, LLC. All rights reserved. Halco and ProLED are registered trademarks of Halco Lighting Technologies. All sizes and specifications are subject to change. 05-14-18. Re-order #9298



## LED LAMPS

# ProLED<sup>®</sup>

## LED-Plug-ins

High performance LED Plug-ins are energy efficient, long lasting replacements for traditional compact fluorescent in downlight and sconce applications

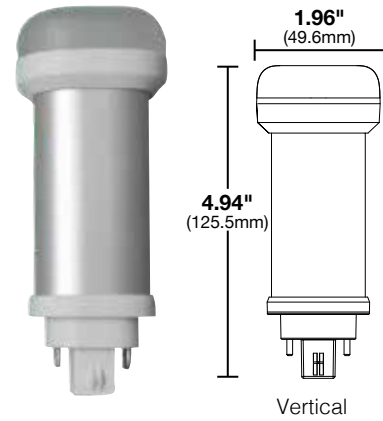


Contact Your Customer Care Specialist  
For Pricing, Orders And Technical Support.  
800.677.3334 [www.halcolighting.com](http://www.halcolighting.com)

# ProLED<sup>®</sup> LED Direct Plug-ins

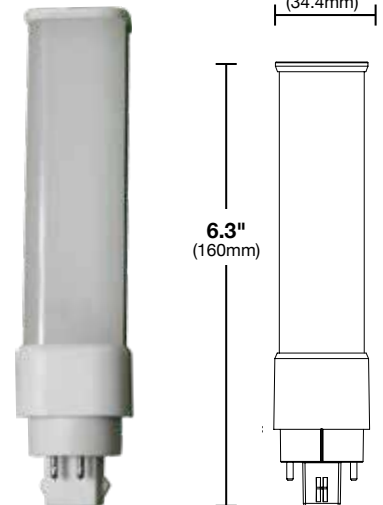
Product #: \_\_\_\_\_ Type: \_\_\_\_\_  
Project: \_\_\_\_\_ Date: \_\_\_\_\_  
Comments: \_\_\_\_\_ Initials: \_\_\_\_\_

PL12V/XXX/DIR/LED2



Vertical

PL12H/XXX/DIR/LED2



Horizontal



ProLED Plug-in lamps are long-lasting, energy efficient replacements for CFL lamps with 4-pin G24q bases without any fixture re-wiring.

## Specifications

- Dedicated horizontal and vertical orientation versions (horizontal features rotatable socket alignment)
- Lasts 5 times longer than CFL
- Electronic CFL ballast compatible
- 50,000 hour life resulting in lower maintenance costs over time
- Horizontal lamp base rotates for proper orientation in luminaire
- Works with existing 26W, 32W and 42W electronic CFL ballasts
- Mercury-free for safer operation and disposal
- RoHS Compliant
- Fits G24q and GX24q Sockets (26, 32, and 42W CFL) (4-Pin sockets)
- -20°C (-4°F) to 45°C (113°F) operating temperatures
- UL classified 1598C Retrofit Kit
- Instant-On
- 5-year warranty
- 120-277V

## Ordering Information

Watt	Base	Product #	Product Code	Color Temp.	CRI	Lumens	Useful Life*	Pkg. Qty.	MOL	DLC Qualified	DLC Code	Wattage Equivalent
<b>Vertical</b>												
12 Watt	G24q/GX24q	82112	PL12V/835/DIR/LED2	3500K	82	1200	50,000	1/25	4.60"	Yes	PL1D2DEXZQ4K	26
12 Watt	G24q/GX24q	82113	PL12V/840/DIR/LED2	4000K	82	1200	50,000	1/25	4.60"	Yes	PLH0RTQ1C29S	26
12 Watt	G24q/GX24q	82114	PL12V/850/DIR/LED2	5000K	82	1200	50,000	1/25	4.60"	Yes	PLKR0T6ALBE2	26
<b>Horizontal</b>												
12 Watt	G24q/GX24q	82117	PL12H/835/DIR/LED2	3500K	82	1200	50,000	1/25	6.30"	Yes	PL0EB3R4FHPF	26
12 Watt	G24q/GX24q	82118	PL12H/840/DIR/LED2	4000K	82	1200	50,000	1/25	6.30"	Yes	PLRP96KP380H	26
12 Watt	G24q/GX24q	82119	PL12H/850/DIR/LED2	5000K	82	1200	50,000	1/25	6.30"	Yes	PLYTZ0JM554V	26

\* Useful Life is defined as the point in time at which the LED will maintain at least 70% of its initial lumens. The LED will continue to operate past this point at decreased light levels.  
\*\* Check the latest update at [www.DesignLights.org](http://www.DesignLights.org) for listed product catalog numbers. All versions may not be listed.



# ProLED<sup>®</sup> LED Bypass Plug-ins

Product #: \_\_\_\_\_ Type: \_\_\_\_\_  
Project: \_\_\_\_\_ Date: \_\_\_\_\_  
Comments: \_\_\_\_\_ Initials: \_\_\_\_\_

PL10V/8XX/BYP/LED

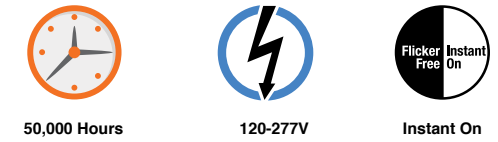


Vertical

PL10H/8XX/BYP/LED



Horizontal



ProLED Bypass Plug-In lamps are long-lasting energy efficient lamps that perform without ballasts.

## Specifications

- Requires simple re-wiring to bypass ballast and maximize efficiency
- 50,000 hour life resulting in lower maintenance costs over time
- Vertical and horizontal lamps available
- Horizontal socket rotates for proper orientation in luminaire
- Mercury-free for safer operation and disposal
- RoHS Compliant
- Fits G24q, GX24q, G24d, and GX24d Sockets (2 and 4 pin sockets)
- UL listed for damp locations
- Rated for ICAT fixtures
- Instant-On
- 5-year warranty
- 120-277V

## Ordering Information

Watt	Base	Product #	Product Code	Color Temp.	CRI	Lumens	Useful Life*	Pkg. Qty.	MOL	Wattage Equivalent
<b>Vertical</b>										
10 Watt	G24q/GX24q/G24d/GX24d	81141	PL10V/835/BYP/LED	3500K	82	1000	50,000	1/10	4.60"	26
10 Watt	G24q/GX24q/G24d/GX24d	81142	PL10V/841/BYP/LED	4100K	82	1000	50,000	1/10	4.60"	26
10 Watt	G24q/GX24q/G24d/GX24d	81143	PL10V/850/BYP/LED	5000K	82	1000	50,000	1/10	4.60"	26
<b>Horizontal</b>										
10 Watt	G24q/GX24q/G24d/GX24d	81144	PL10H/835/BYP/LED	3500K	82	1000	50,000	1/10	5.20"	26
10 Watt	G24q/GX24q/G24d/GX24d	81145	PL10H/841/BYP/LED	4100K	82	1000	50,000	1/10	5.20"	26
10 Watt	G24q/GX24q/G24d/GX24d	81146	PL10H/850/BYP/LED	5000K	82	1000	50,000	1/10	5.20"	26

\* Useful Life is defined as the point in time at which the LED will maintain at least 70% of its initial lumens. The LED will continue to operate past this point at decreased light levels.

