



LED LAMPS

ProLED[®] **Commercial Downlight Retrofit Luminaire**



50,000



Energy Saver



5-yr Warranty



High CRI



ENERGY STAR[®]

LED Commercial Retrofit Downlights combine the ease of installation with energy efficient LED technology



**Quick and Easy Installs with
Integral Junction Box**

**Replaces up to 200W
Incandescent for Over 80%
Energy Savings**

**4", 6" and 8" Options Mount
to Downlight Frames, Drywall
or Ceiling Tiles**

Backed by a 5-Year Warranty

ENERGY STAR[®] Certified

Applications:

- Office
- Lobby
- Hospitality
- Retail
- Conference Room

Markets:

- Commercial
- Industrial



Contact Your Customer Care Specialist
For Pricing, Orders And Technical Support.

800.677.3334 www.halcolighting.com

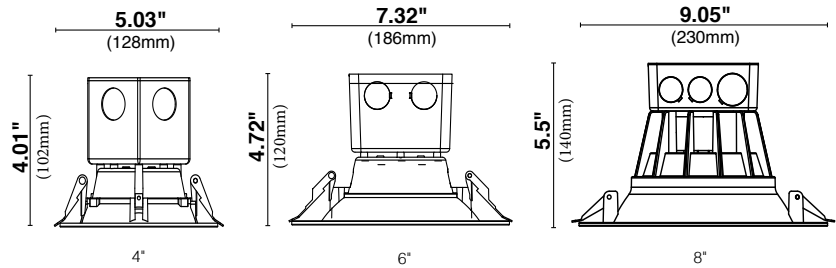
ProLED[®]

Commercial Downlight Retrofit Luminaire

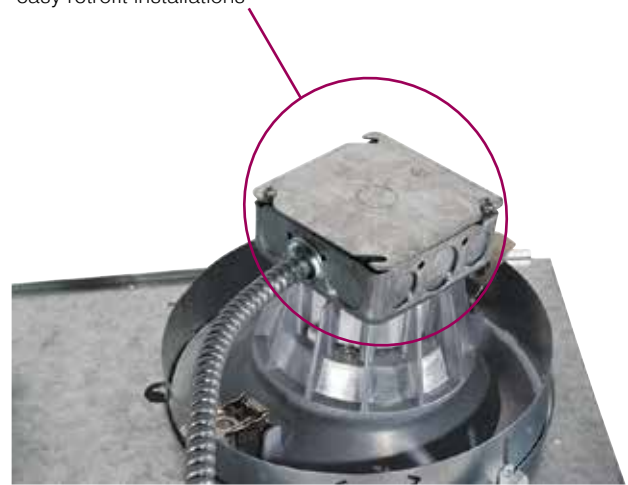
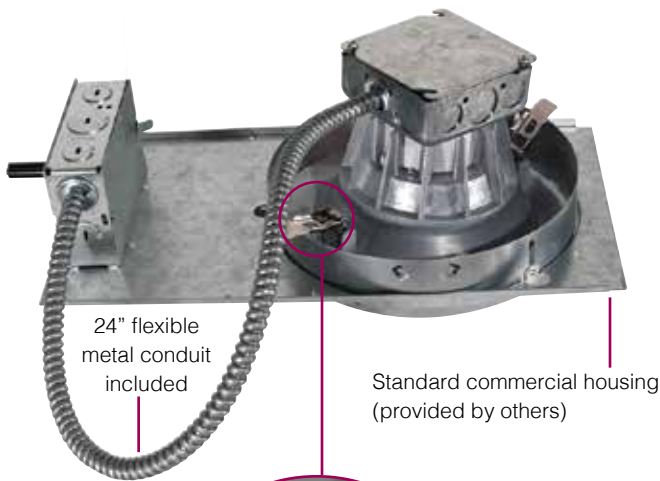
Product #: _____ Type: _____
 Project: _____ Date: _____
 Comments: _____ Initials: _____

Specifications

- Downlight comes affixed with a standard junction box
- J-Box can be wired directly to the power source or fed to downlight J-box with supplied 24" flexible conduit
- Comes with 24" metal conduit
- Strong spring clips secure housing to downlight housings, drywall and ceiling tiles
- 50,000 hour life results in lower maintenance costs over time
- ETL approved for damp locations
- Dimmable to 10% (120V only)
- Acceptable for use in IC or Non-IC housings



Standard junction box is integrated to downlight for quick and easy retrofit installations



Reinforced spring clips allow for easy install and a secure fit to commercial recessed housings or directly to sheetrock and ceiling tiles

Ordering Information



Watt	Product #	Product Code	Volts	Color Temp.	Lumens	Useful Life*	CRI	Dimmable	PKG. Qty.	Housing Size	Equivalent Wattage
10W	99610	CDL4FR10/927/RTJB/LED	120-277V	2700K	700	50,000	90	Yes	1/12	4"	65W
10W	99611	CDL4FR10/930/RTJB/LED	120-277V	3000K	700	50,000	90	Yes	1/12	4"	65W
10W	99612	CDL4FR10/940/RTJB/LED	120-277V	4000K	700	50,000	90	Yes	1/12	4"	65W
10W	99613	CDL4FR10/950/RTJB/LED	120-277V	5000K	700	50,000	90	Yes	1/12	4"	65W
15W	99614	CDL6FR15/927/RTJB/LED	120-277V	2700K	1000	50,000	90	Yes	1/12	6"	120W
15W	99615	CDL6FR15/930/RTJB/LED	120-277V	3000K	1000	50,000	90	Yes	1/12	6"	120W
15W	99616	CDL6FR15/940/RTJB/LED	120-277V	4000K	1000	50,000	90	Yes	1/12	6"	120W
15W	99617	CDL6FR15/950/RTJB/LED	120-277V	5000K	1000	50,000	90	Yes	1/12	6"	120W
30W	99618	CDL8FR30/927/RTJB/LED	120-277V	2700K	2000	50,000	90	Yes	1/6	8"	200W
30W	99619	CDL8FR30/930/RTJB/LED	120-277V	3000K	2000	50,000	90	Yes	1/6	8"	200W
30W	99620	CDL8FR30/940/RTJB/LED	120-277V	4000K	2000	50,000	90	Yes	1/6	8"	200W
30W	99621	CDL8FR30/950/RTJB/LED	120-277V	5000K	2000	50,000	90	Yes	1/6	8"	200W

NEW ITEM

* Useful Life is defined as the point in time at which the lamp will maintain at least 70% of its initial lumens. The lamp will continue to burn past this point, but at decreased light levels.

ENERGY STAR[®] certified.

Warranty – Commercial / Industrial: This product is warranted for 5 years from the date of purchase.

Warning: Dimmable for 120V only.

Halco Lighting Technologies 2940 Pacific Drive | Norcross, GA 30071 | Toll Free 800.677.3334 | Phone 770.242.3612 | Fax 800.880.0822 | halcolighting.com | Atlanta | Carlsbad | Cleveland | Houston | Los Angeles | Phoenix

© 2016 Halco Lighting Technologies, LLC. All rights reserved. Halco and ProLED are registered trademarks of Halco Lighting Technologies. All sizes and specifications are subject to change. 03-22-17. Re-order #9085.